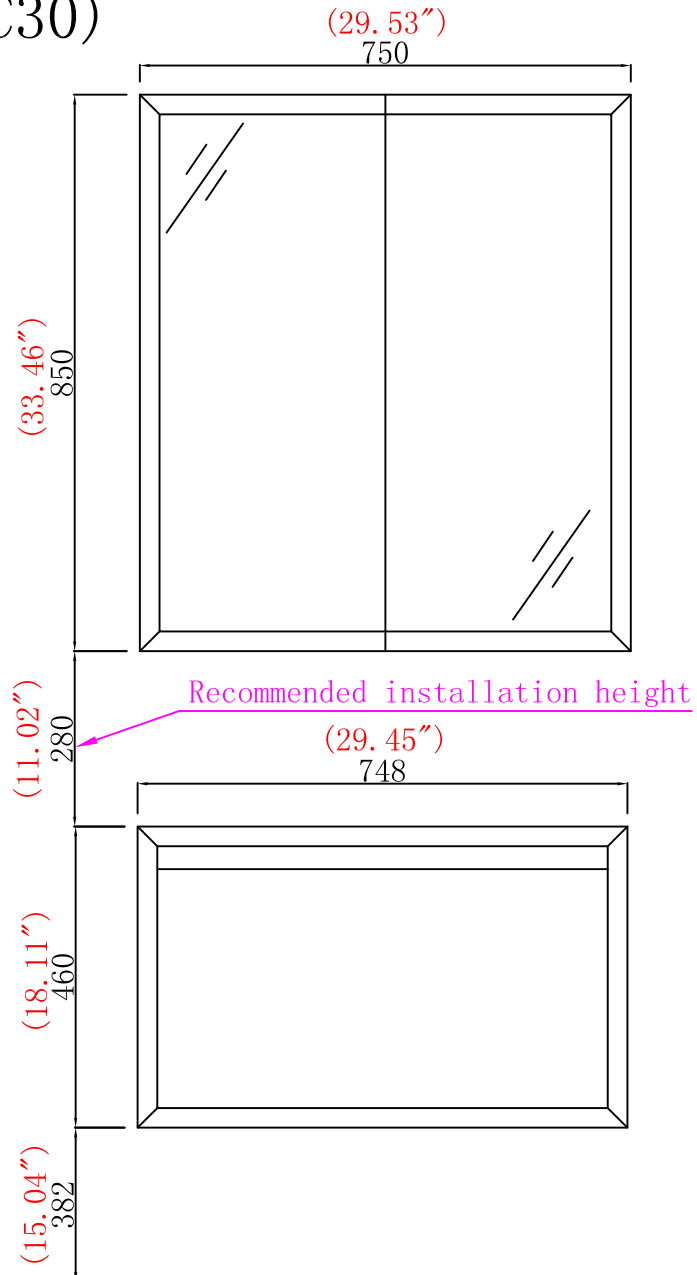








Item No. :UR30 (URMC30)

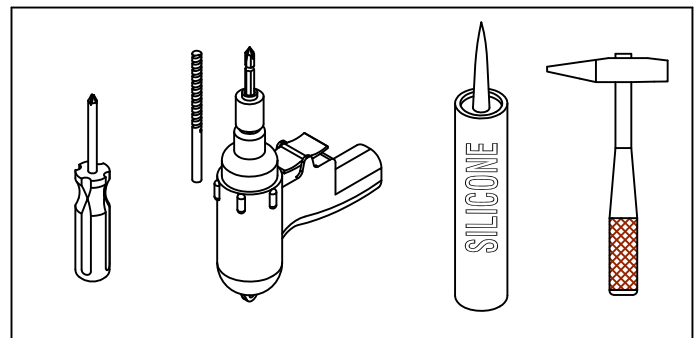
FLOOR



## Hardware

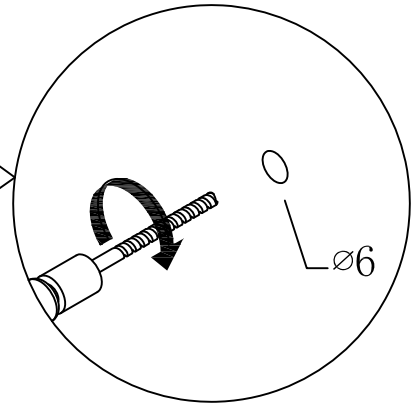
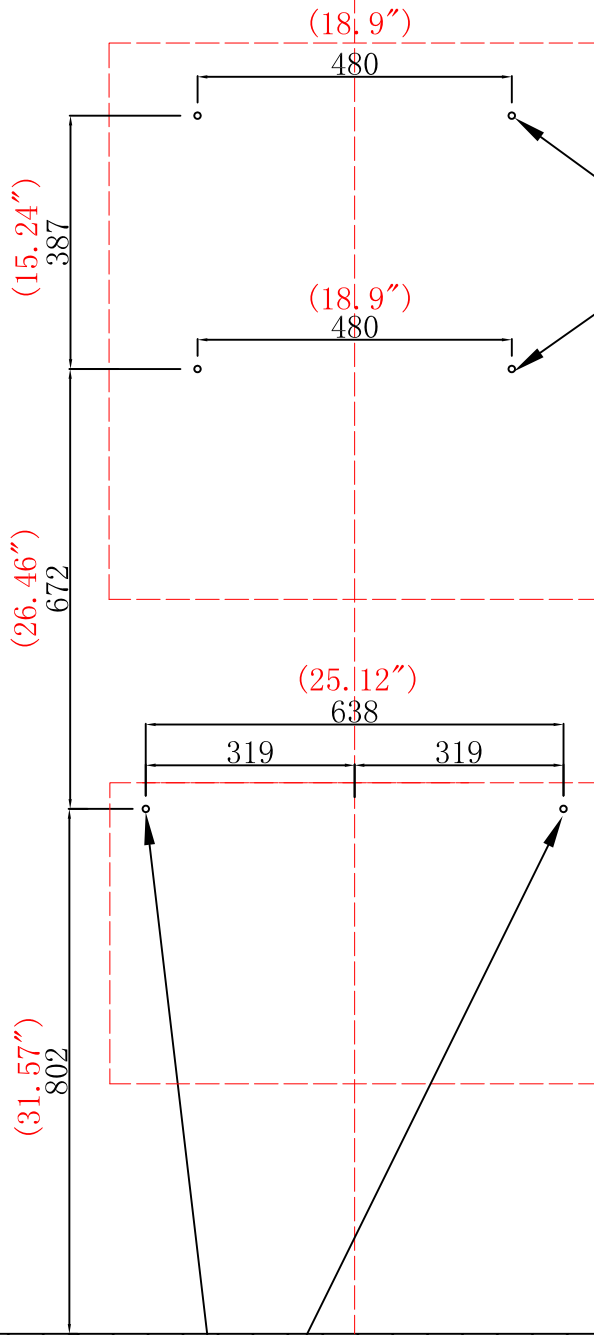
NO.	Draw	QTY
A		2
B		2
C		2
D		4
F	 (3.5*60)	4
G	 (3.5*14)	8

## Tools

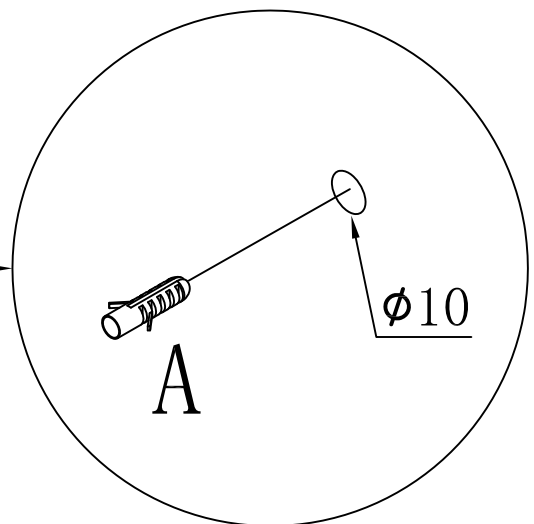
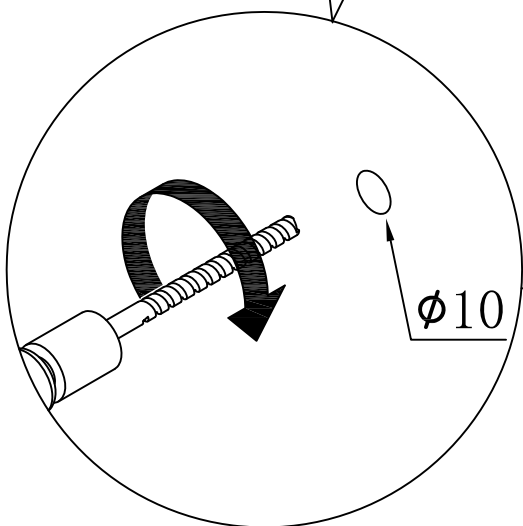


Step 1

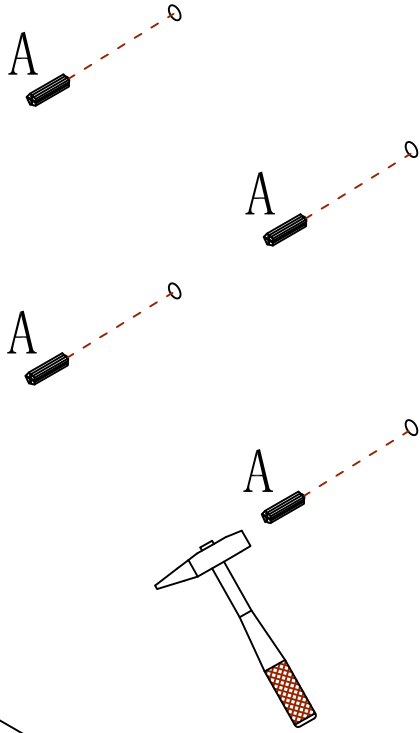
WALL



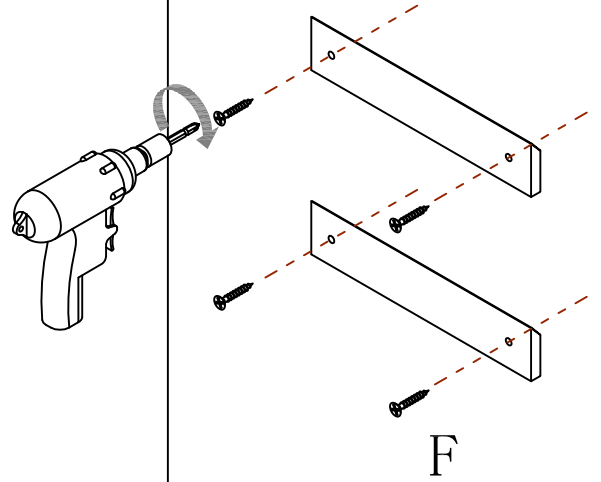
FLOOR



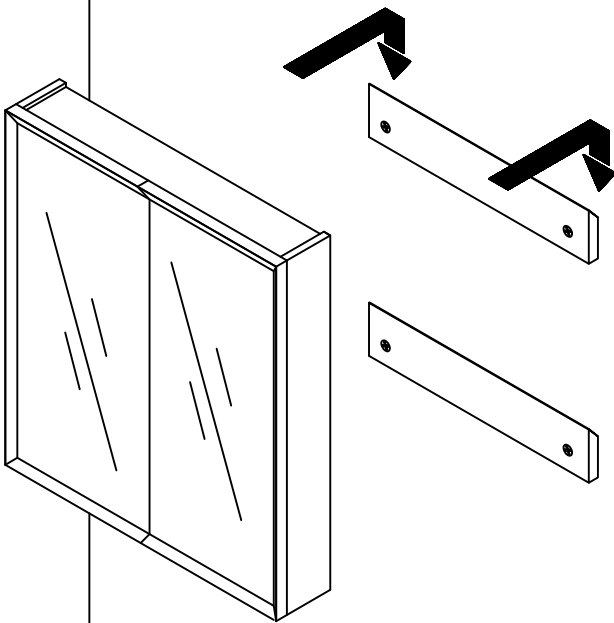
Step 1



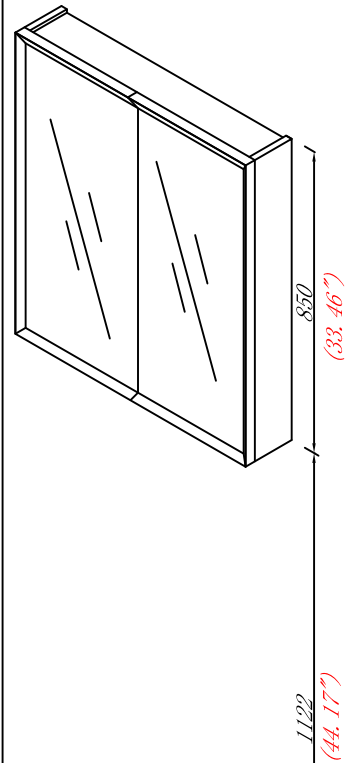
Step 2



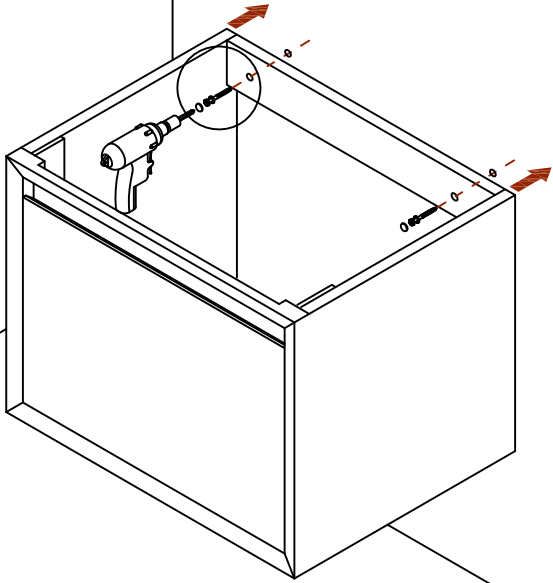
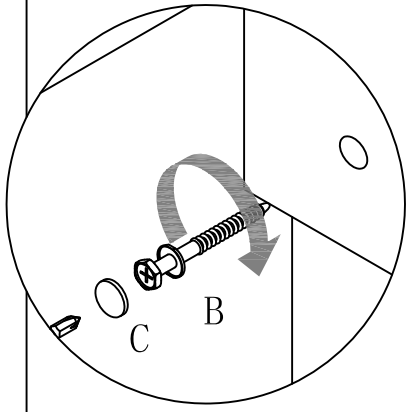
Step 3



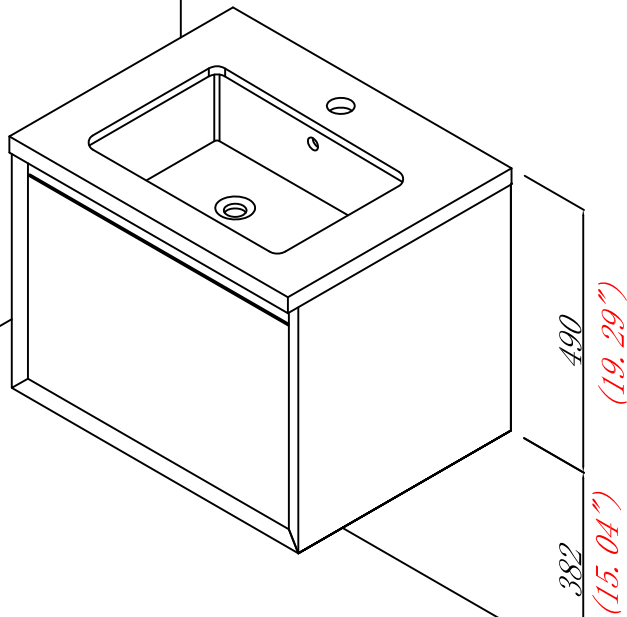
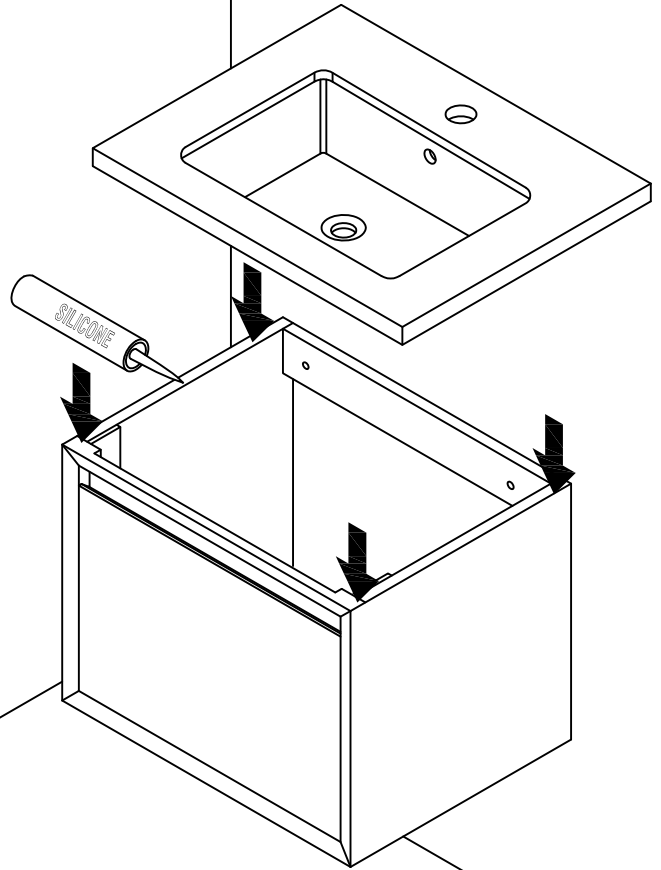
Step 4



Step 5



Step 6



# Black Metal Legs Installation Instruction

